

DSDM 55" 4K Series

Advantech 55" Digital Signage Series

Preliminary



Features

- Vivid 4K Ultra HD resolution
- Reliable 18x7 operation
- With SDM slot for optional computing
- Convenient USB Plug and Play
- Diverse connectivity for multi-media

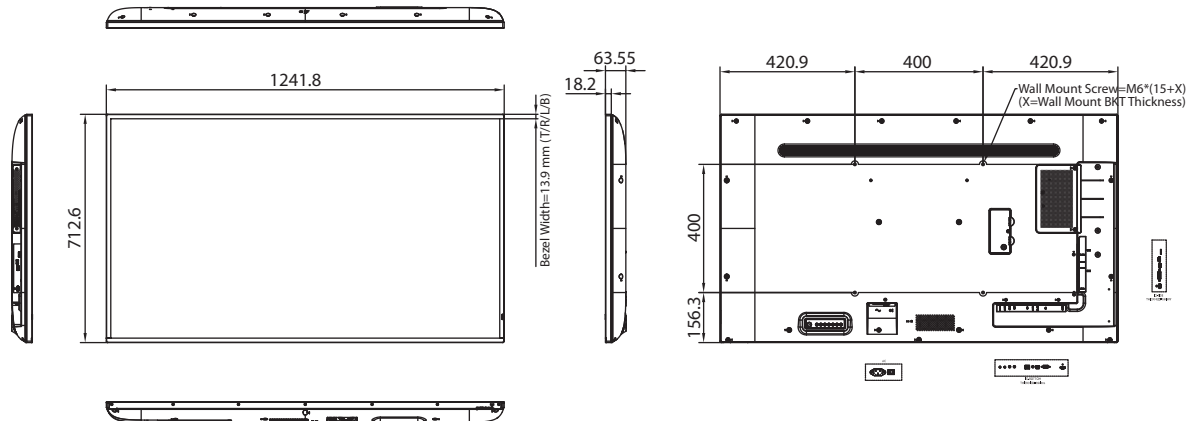
Specifications

Part number		VUE-5550-UD50SA-V0 VUE-5550-UD50SC-V0 VUE-5550-UD50SE-V0 VUE-5550-UD50SX-V0	VUE-5550-UD50IA-V0 VUE-5550-UD50IC-V0 VUE-5550-UD50IE-V0 VUE-5550-UD50IX-V0	
Display	Active Screen Size		54.6"	
	Resolution		3840 x 2160 (UHD)	
	Brightness		500 nits (Typ.)	
	Contrast Ratio		1200:1 (Typ.)	
	Aspect Ratio		16:9	
	Viewing Angle		89° / 89° / 89° / 89°	
	Response Time		8 ms (Typ.)	
Touch	Touch Type		None-touch / Infrared Touch (IR)	
	Touch Function		N/A / 10-Point Touch (USB type B interface)	
	Touch Interface		N/A / USB	
Connectivity	Input	Video	HDMI x 2, VGA x 1, DVI x 1, DisplayPort x 1	
		Audio	Audio Line in x 1	
		Control	RS-232 x 1, IR x 1	
		Other slots/ports	SDM-L x 1, Micro SD Card slot x 1, USB typeA 2.0 x 1, USB typeA 3.0 x 1	
	Output	Video	HDMI x 1	
Audio		10W+10W Internal Speaker, Audio Line out x 1		
Control		RS-232 x 1, IR x 1		
System	OS		Android 8	
	Control Function		IR Remote Control, RS232, LAN, Hot key	
	OSD Language		English / German / French / Italian / Spanish / Russian / Polish / Turkish / Traditional Chinese / Simplified Chinese	
Power	Power Type		Internal power board	
	Power Input-AC		100-240VAc, 50-60Hz, 3.2A	
	Power Consumption		140W (Typ.)	
Environment	Operating	Temperature	5 ~ 40 °C (Landscape), 5 ~ 35 °C (Portrait)	
		Humidity	20 ~80 % (without condensation)	
	Storage	Temperature	-20 ~ 60 °C	
		Humidity	10 to 90%(without condensation)	
Mechanical Specification	VESA Compatibility		400 x 400 mm (15.7 x 15.7 in.)	
	Hand Hoder/Stand		Yes, with 2 hoders	
	Bezel Width	T/L/R/B	13.9 mm (0.55 in.) Even bezel with	
	Dimensions (W x H x D)	Physical	1242 x 713 x 64 mm (49 x 28 x 3 in.)	1272 x 743 x 75 mm (50 x 29 x 3 in.)
		Packing	1350 x 860 x 160 mm (53 x 34 x 6 in.)	1350 x 860 x 160 mm (53 x 34 x 6 in.)
	Weight	Net	16.7 kg / 39 .82 lb.	21.1 kg / 46.5 lb.
Gross		22.1 kg / 49.1 lb.	31.25 kg / 68.9 lb.	
Installation	Installation rotation		Landscape/Portrait	
	Mounting on a wall		400 x 400 mm, VESA grid	
	Mounting with stand/arm		400 x 400 mm, VESA grid	
	Mounting through bracket		N/A	
	Extending PC/peripherals		N/A	
Certificate		BSMI, CB, CCC, CE, FCC		

DSDM 55" 4K Series

Dimensions

Unit: mm [inch]



	Outline Dimension			Bezel Width	
	W	H	D	T/L/R	B
55" 4K Digital signage	1241.8	712.6	63.55	3.9	3.9
55" 4K IR touch Digital signage	1271	742	74.6	5.8	5.8

Ordering Information

Description	Part Number	Power cord	Packing list
55" 4K Digital Signage	DSDM-0554K-50NE-VA	Signage with JP/KR Power cable (C8,1.8M)	<ul style="list-style-type: none"> VGA cable (1.8 M) HDMI cable (1.8 M) RS-232 cable (1.8 M) HDMI Daisy cable (1.8M)
	DSDM-0554K-50NE-VX	Signage with TW/US/EU Power cable (C8,1.8M)	
	DSDM-0554K-50NE-VC	Signage with CN Power cable (C8,1.8M)	
	DSDM-0554K-50NE-VE	Signage with UK/AU/ME Power cable (C8,1.8M)	
Description	Part Number	Power cord	Packing list
55" 4K IR Touch Digital Signage	DSDI-0554K-50NE-VA	Signage with JP/KR Power cable (C8,1.8M)	<ul style="list-style-type: none"> VGA cable (1.8 M) HDMI cable (1.8 M) RS-232 cable (1.8 M) HDMI Daisy cable (1.8M) IR Touch sensor cable
	DSDI-0554K-50NE-VX	Signage with TW/US/EU Power cable (C8,1.8M)	
	DSDI-0554K-50NE-VC	Signage with CN Power cable (C8,1.8M)	
	DSDI-0554K-50NE-VE	Signage with UK/AU/ME Power cable (C8,1.8M)	