

VUE-3215

21.5" Medical Touch Monitor

Preliminary



Features

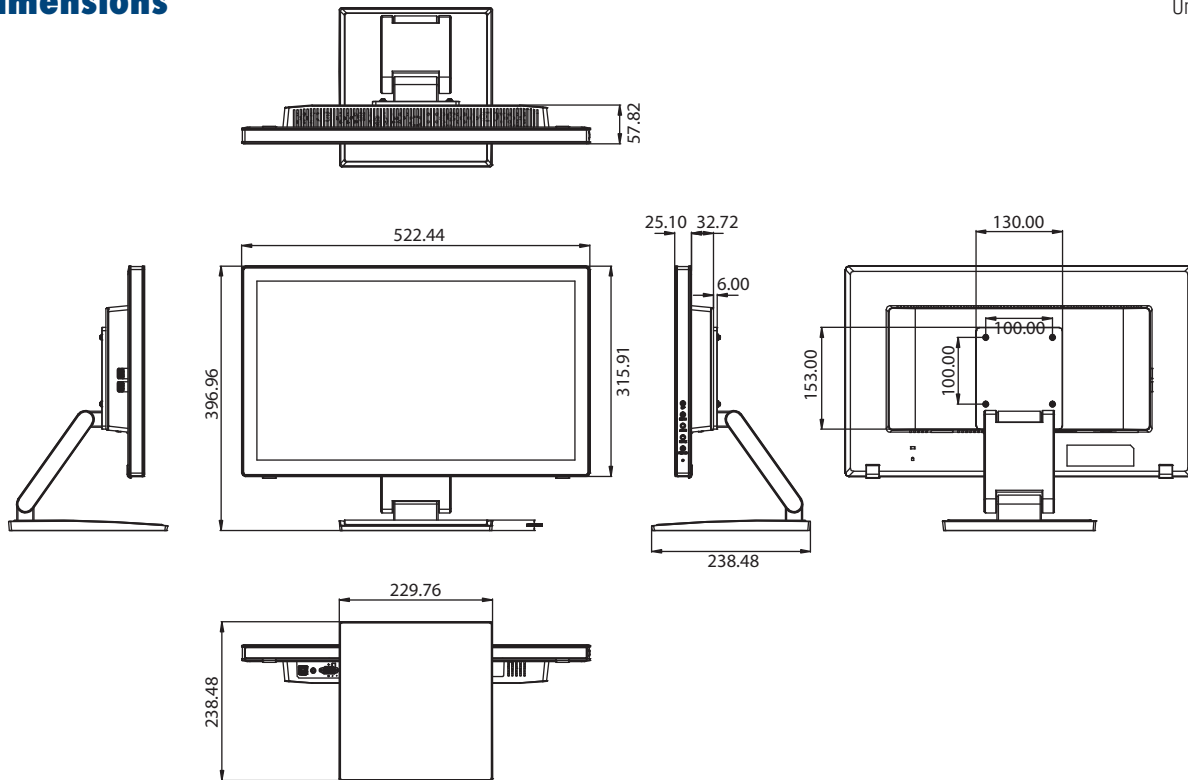
- 21.5" active screen size
- DICOM Part 14 GSDF compliant, supporting clear and blue modes
- 6-axis color adjustment (Green/Red/Blue/Cyan/Magenta/Yellow) for high level and more accuracy customized image
- Full-flat cover glass for extremely simple and elegant surface design
- Anti-reflection and anti-smudge (AR+AS) treatment on screen for comfortable viewing experience and clean environment
- Front IK08 high-level impact protection
- Adopts industrial-grade components for guaranteed performance
- Support 10-point touch function (PCAP technology)
- Excellent touch noise immunity well-suited for rugged applications (CS 10V)
- Compliant with many touch methods including fingers, glove, and stylus
- Built-in multiple I/O interfaces for diverse media connectivity

Specifications

| | | | |
|---------------------------------|---|---------------------|--|
| Display | Active Screen Size | | 21.5 inch |
| | Resolution | | 1920 x 1080 (FHD) |
| | Brightness | | 250nits (Typ.) |
| | Contrast Ratio | | 3000:1 |
| | Aspect Ratio | | 16:9 (Wide) |
| | Viewing Angle | | 89° / 89° / 89° / 89° (Typ) |
| Touch | Backlight Life (hours) | | 40,000 (Typ.) |
| | Touch Type | | Projected Capacitive Touch (PCAP) |
| | Touch Function | | 10 points |
| | Touch Interface | | USB |
| | Touch Method | | Finger/Glove |
| | Stylus | | Active Pen (optional accessory) |
| Connectivity | Input | Video | VGA x 1, HDMI x 1, DVI-D x 1, DisplayPort x 1 |
| | | Audio | Audio line in x 1 |
| | | Control | USB typeB x 1 (for touch function) |
| | | Others | USB3.0 x 2 |
| | Output | Video | N/A |
| | | Audio | 2W+2W Internal Speaker |
| Control | | N/A | |
| System | OS | | N/A |
| | OSD Language | | English, Spanish, French, Portuguese, Russian, Simplified Chinese, Traditional Chinese, Korean |
| | OSD Function | | TBD |
| Power | Power Type | | External Adapter, AC to DC, 20V |
| | Power Input-AC | | 100-240V _{ac} , 50-60Hz, 1.5A |
| | Power Consumption | | TBD |
| Environment | Operating | Temperature | 0°C ~ 40°C |
| | | Humidity | 10% to 85% (non-condensing) |
| | Storage | Temperature | -20 ~ 60 °C |
| | | Humidity | 5% to 80% (non-condensing) |
| Mechanical Specification | Housing Material | | Texture (Black/White) |
| | Waterproof Rating | | N/A |
| | VESA Compatibility | | 100 x 100 mm |
| | Side mount screw hole | | N/A |
| | Hand Hoder/Stand | | Yes, with hinge stand |
| | Cable Management | | N/A |
| | Dimensions (W x H x D) | Physical with stand | 512.5 x 318.4 x 63.5 mm |
| | | Packing | 609 x 415 x 201 mm |
| | Weight | Net | 7.8 kg |
| Gross | | 9 kg | |
| Installation | Installation rotation | | Landscape |
| | Mounting on a wall | | 100 x 100 mm, VESA grid |
| | Mounting with stand/arm | | 100 x 100 mm, VESA grid |
| | Mounting through bracket | | N/A |
| | Extending PC/peripherals | | N/A |
| Certificate | CB, UL, BSMI, CCC, CE, UKCA, FCC, CEC, ErP Iot5 | | |
| Warranty | 2 years | | |

Dimensions

Unit: mm



Ordering Information

| Part Number | | Description | Packing List |
|--------------------|--------------------|--|---|
| Black housing | White housing | | |
| VUE-3215-FD25PA-N6 | VUE-3215-FD25PA-N5 | Advantech 21.5" Full HD PCAP Touch Monitor, Medical-grade with DICOM (incl. Japan and Taiwan Power Cord) | <ul style="list-style-type: none"> ▪ Power Cord (1.5M, Black) ▪ Power Adaptor (1.5M, Black) ▪ VGA Cable (1.5M, Black) ▪ HDMI Cable (1.5M, Black) ▪ DisplayPort Cable (1.5M, Black) ▪ DVI Cable (1.5M, Black) ▪ USB Cable (1.8M, Black) ▪ Audio Cable (1.5M, Black) ▪ Hinge Stand (Black/White housing) ▪ Startup Manual (Paper) |
| VUE-3215-FD25PC-N6 | VUE-3215-FD25PC-N5 | Advantech 21.5" Full HD PCAP Touch Monitor, Medical-grade with DICOM (incl. China Power Cord) | |
| VUE-3215-FD25PX-N6 | VUE-3215-FD25PX-N5 | Advantech 21.5" Full HD PCAP Touch Monitor, Medical-grade with DICOM (incl. EU, UK, and US Power Cord) | |

Optional Accessories

| Part Number | Description |
|----------------|---|
| 960T-A15DEE-B0 | Active Stylus Pen for VUE-2000 and VUE-3000 series, Black |