

# POC-W213L

## 21" Clinical Grade Widescreen Point-of-Care Terminal



### Features

- Runs on Intel® 7th generation, kabylake processor with a fanless, high performance profile
- Ultra-thin display, only 65 mm slim at its widest point
- Capable of displaying crystal clear images on its 21.5" wide-screen display
- Isolated design provides unique electric leakage protection for LAN ports
- IPX1 water resistant enclosure with additional IP65 dust-tight front panel
- Optional Bluetooth, RFID, inner WLAN module
- Support Intel® firmware trusted platform module (TPM) with Intel® Platform Trust Technology (Intel® PTT)

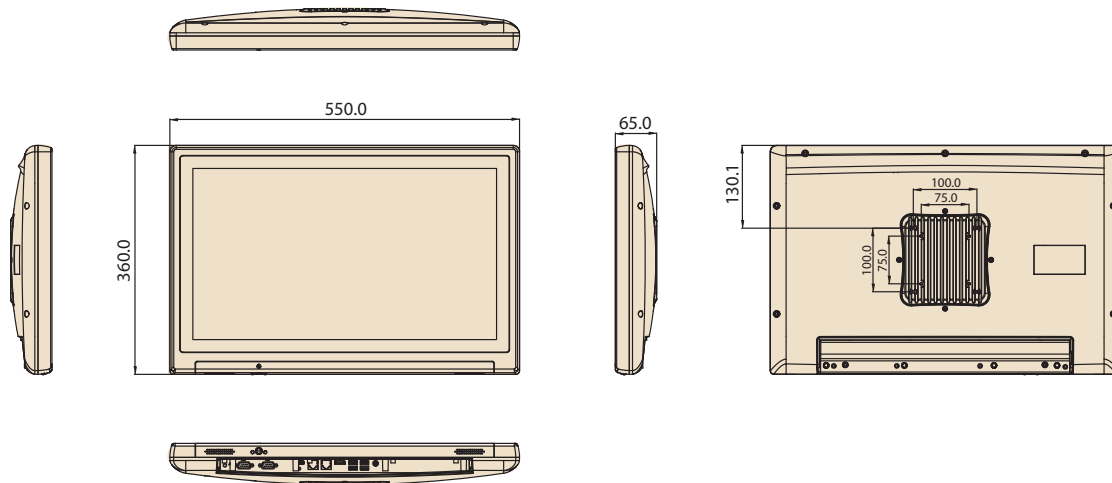


### Specifications

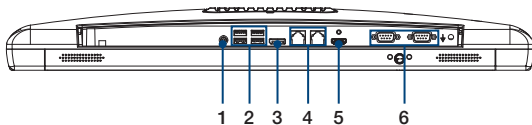
MB (2 in 1) PCM-8721	CPU	Intel Kaby Lake Core i5-7300U Optional Intel Celeron 3965U	
	Memory	1 x DDR4 SODIMM slot (Default 4GB; Up to 16GB)	
	Primary Storage	Optional SATA SSD/HDD	
	Graphics Controller	Intel® HD Graphics 610/620	
	Expansion Slot x 2	Full Mini-PCIe x 1 + M.2 Slot x 1	
Display	Size	21.5" W TFT LCD	
	Max Resolution	1920 x 1080 FHD	
	Viewing Angle	178°/178°	
	Pixel Pitch	248.25 x 248.25	
	Luminance	250 cd/m <sup>2</sup>	
	Contrast Ratio	3000 (Typ.)	
Touchscreen	Type	Projected Capacitive	
	Light Transmission	0.85	
	Controller	FPC	
	Durability	>100 million touches	
	Resolution	Continuous	
Front Button on dashboard	Power Button	1	
Rear I/O	USB 3.0	2	
	USB 2.0	2	
	LAN	2 x Gigabit Ethernet (1.5KV isolated) interfaces (RJ45)	
	Display Port	Out Up to 4096 x 2304 @ 60Hz	1
	HDMI out	Up to 4096 x 2304 @ 24Hz	1
	Optional: COM	RS232 serial port	2
	DC Jack	2pin	1
Audio	Speaker	1.5 Watt x 2	
Optional Functions	WLAN & Bluetooth	Dual-band (2.4/5GHz) 802.11 a/b/g/n/ac 2Tx/2RxWifi & Bluetooth v4.1 (Optional v4.2)	
Power Supply	DC Model	DC Adapter C14 DC PLUG 180°	
	Input Voltage	90 ~ 240 V <sub>ac</sub> , 1.3 ~ 0.8A @ 47 ~ 63Hz	
	Output Voltage	12 V <sub>dc</sub> , 7A	
Software	Operating System (Optional)	Windows 10 IoT, Linux	
IP Rating	Front Panel	IP65	
	Entire System	IPX1	
Certifications		CCC, CE,UL/FCC	
Environment	Temperature	Operating: 0 ~ +40 °C, Storage: -20 ~ +60 °C	
	Humidity	10 ~ 95% @ 40 °C (Non-condensing) (Operating); 5 ~ 95% @ 40 °C (Non-condensing) (Storage)	
	Shock Resistance	20G peak acceleration (11ms duration)	
Mechanical	Mounting	VESA 75 x 75 mm & 100 x 100 mm	
	Dimensions ( W x H x D)	550 x 360 x 65 mm (21.65" x 14.17" x 2.56")	
	Weight	6.9kg (15.2lb)	

## Dimensions

Unit: mm



## I/O Ports



- |  |   |
|--|---|
| 1. DC in   | 5. 1 x HDMI out Port  |
| 2. 2 x USB 3.0 Ports; 2 x USB 2.0 Ports                    | 6. Optional 2 x RS-232 Serial Port<br>Option: Non isolation |
| 3. 1 x Display Port  |   |
| 4. 2 x Gigabit Ethernet (1.5KV isolated) interfaces (RJ45) |   |

## Function Key



Power

## Ordering Information

Part Number	CPU	DRAM	Touch Panel
POC-W213L-B00D-ACE	Core i5 7300U	4G	P-CAP
POC-W213L-C00D-ACE	Celeron 3965U	4G	P-CAP

## Optional Modules

Part Number	Description
POC-W213L-WF3E	802.11 a/b/g/n/ac,QCA6174A,2T2R,w/BT4.1,M.2 2230
POC-W213L-WF2E	Intel® Dual Band Wireless-AC 8265

For information about RFID module, contact Advantech Sales team.

## Accessories

Part Number	Description
PDC-W215-STAND-H3E	PDC-W215 STAND_H3-741L type_6--12kg Black
1702002600	Power Cord UL 3P 10A 125V 183cm
1702002605	Power Cord EU 3P 10A 250V 183cm
1700018704	Power Cord BSI 2P 10A 250V 180cm
1700009652	Power Cord CCC 3P 10A 250V 187cm