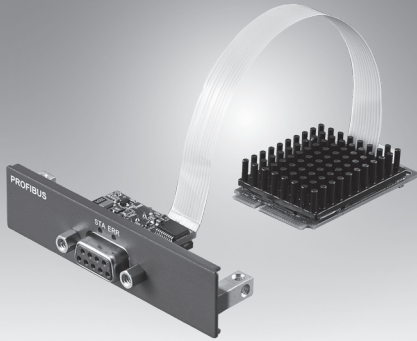


# PCM-26D1DB

## 1-Port Hilscher netX100 FieldBus mPCIe, PROFIBUS, DB9

NEW



### Features

- Meets Advantech iDoor technology standard
- PCI ExpressR Mini card specification revision 1.2 compliant
- Supports Hilscher PROFIBUS protocol library
- Easy integration by wide range of device drivers
- High extended temperature range up to 70°C
- Supports embedded automation PC UNO-2200/2400 series
- Supports control DIN-Rail PC UNO-1300/1400 series
- Supports control cabinet PC UNO-3200/3300/3400 series
- Supports control panel computers TPC-xx81/xx82 series
- Supports thin client panel computers TPC-xx51 series

### Introduction

The PCM-26 series are Industrial Communication with Fieldbus Protocol modules from Advantech iDoor Technology. They are all compatible with the PCI Express® Mini Card Specification Revision 1.2, including including isolated / non-isolated RS-232/422/485 communication cards for automation control, Wi-Fi/3G/GPS/GSM/LTE wireless communication models for data exchange for management and machine level automation applications; ZigBee module serves as an IoT terminal or controller and PoE function for smart cameras in detection-inspection-production applications. This is a flexible design that enables customers to customize their features with iDoor Technology.

### Specifications

#### General

- **Bus Type** PCI Express Mini Card Revision 1.2
- **Certification** CE, UL
- **Connectors** 1 x Female DB9
- **Dimensions** Module: 51 x 30 x 12.4mm (2" x 1.18" x 0.49")  
I/O Plate: 81 x 19.4 x 41mm (3.19" x 0.76" x 1.61")
- **Power Consumption** Typical : +3.3 V @ 650mA

#### Communications

- **Controller** Hilscher netX100
- **Protocol** PROFIBUS DP V1
- **Signal interface** Iso. RS-485, RxD/TxD-P, RxD/TxD-N
- **Speed** 9.6 kbps ~ 12 Mbps
- **Displays** SYS, System status LED

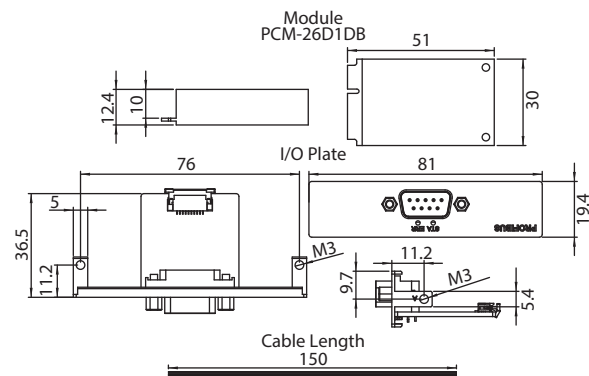
#### Software

- **OS Device** Windows 2000/XP/Vista/7/8/10
- **Utility** SYCON.net

#### Environment

- **Humidity (Operating)** 10-95% RH, non-condensing
- **Operating Temperature** -20 ~ 70°C (-4 ~ 158°F), w/ Air flow during measurement: 0.5 m/s
- **Storage Temperature** -10 ~ 70°C (14 ~ 158°F)

### Dimensions



### Ordering Information

#### Master

- **PCM-26D1DB-MAE** Hilscher netX100 FieldBus mPCIe, PROFIBUS, DB9 x 1, Master

#### Slave

- **PCM-26D1DB-SAE** Hilscher netX100 FieldBus mPCIe, PROFIBUS, DB9 x 1, Slave