

# LEO-W

## Wearable Barcode Ring

**NEW**



### Features

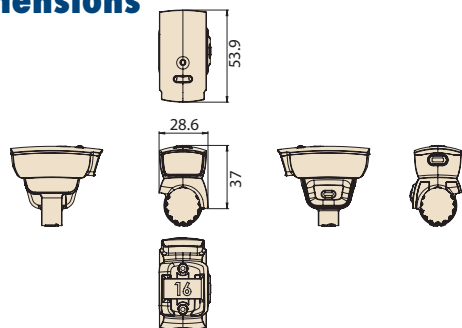
- Wearable ring enables hands-free operation
- Compact and lightweight for convenient portability
- Battery supports 8 hours operation/1.5 hour charge time
- Ergonomic design enhances user comfort

### Specifications

Sensor Type	Linear										
Resolution	4 mil/0.1 mm										
Indicator	LED, Buzzer										
Angle	Scan Angle 41° Pitch Angle ±30° Skew Angle ±40° Roll Angle ±20°										
Battery	250 mAh										
Battery Life	8 hours or 6000 scans (5 seconds per scan)										
Charge Time	1.5 hours (full capacity)										
Radio	Bluetooth 4.1 (Class 2)										
Coverage	10 m/33 ft (line of sight)										
Symbologies	UPC-A/UPC-E, EAN-8/EAN-13, Industrial 2 of 5, Codabar, Matrix 2 of 5, Code 11, Code 93, Code 32, Code 128, Standard Code 39, Full ASCII Code 39, Interleaved 2 of 5, China Postal Code, MSI Plessey Code, UK Plessey Code, EAN/UCC 128, Telepen Code, IATA Code, GS1 Databar										
Typical Depth of Field (@800 Lux)	<table border="0"> <tr> <td>▪ Code 39</td> <td>▪ UPC/EAN</td> </tr> <tr> <td>4 mil: 33 ~ 83 mm</td> <td>13 mil: 41 ~ 239 mm</td> </tr> <tr> <td>5 mil: 27 ~ 105 mm</td> <td></td> </tr> <tr> <td>10 mil: 30 ~ 205 mm</td> <td></td> </tr> <tr> <td>15 mil: 44 ~ 292 mm</td> <td></td> </tr> </table>	▪ Code 39	▪ UPC/EAN	4 mil: 33 ~ 83 mm	13 mil: 41 ~ 239 mm	5 mil: 27 ~ 105 mm		10 mil: 30 ~ 205 mm		15 mil: 44 ~ 292 mm	
▪ Code 39	▪ UPC/EAN										
4 mil: 33 ~ 83 mm	13 mil: 41 ~ 239 mm										
5 mil: 27 ~ 105 mm											
10 mil: 30 ~ 205 mm											
15 mil: 44 ~ 292 mm											
Dimensions (H x W x D)	53.9 x 37 x 28.6 mm (2.12 x 1.45 x 1.05 in)										
Weight	33 g (0.07 lb)										
Environmental	Operating Temperature	-20 ~ 50 °C (-4 ~ 122 °F)									
	Storage Temperature	-20 ~ 60 °C (-4 ~ 140 °F)									
	Humidity	Up to 95% relative humidity, non-condensing									
	Drop Tolerance	1 m									
	IP Rating	IP54									
Light Levels	70,000 lux										
ESD	4 kV contact, 8 kV air										
Certification	CE, FCC, NCC										

### Dimensions

Unit: mm



### Ordering Information

Part Number	Description
LEO-WB21-000	LEO-W barcode ring

### Packing list

Part Number	Description
1700029373-01	Magnetic USB cable
1990033112T000	#10 ring strap
1990033113T000	#12 ring strap
1990033114T000	#16 ring strap
1990033115T000	#20 ring strap
1990033116T000	#24 ring strap