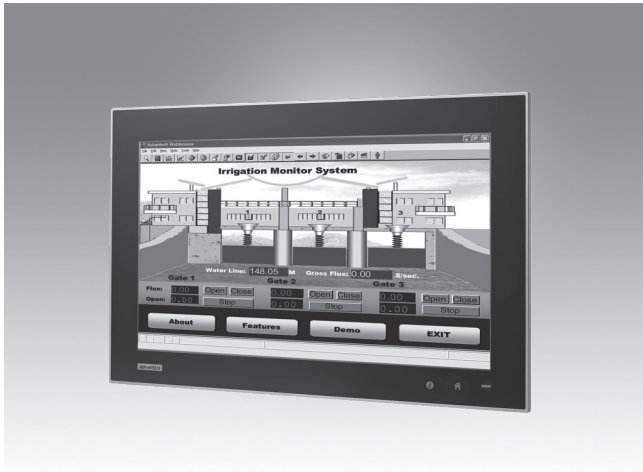


ESRP-CMS-TPC1881WP

18.5 Core i5 Multi-Touch PC ACP Ready ThinClient



Features

- Verified with ACP ThinManager, ACP BIOS enabled
- Certified with UL CID2 for hazardous environments
- Industrial 18.5 FHD TFT LCD with 50K Lifetime LED Backlight
- Intel 4th Generation Core i5 4300U with 4GB/8GB DDR3L SDRAM
- 16:9 Wide Screen with PCT Multi-Touch
- IP66 Approved Front Protection & Panel Mounting
- Front LED Indicator to Show Operating Status
- Chassis Grounding Protection

Introduction

Realize the true value of thin client and centralized management technologies with Advantech's ThinManager compatible industrial thin clients. ACP's ThinManager, the leading thin client solution for the factory floor, and Advantech's industrially hardened thin client hardware provide a unique solution for centralized management of factory floor applications.

ESRP-CMS-TPC1881WP is UL listed for Hazardous Locations with Class I, Division 2, groups A, B, C, D T4A certification and is the perfect ThinManager industrial thin client designed to be safely operated in the hazardous location where the devices are under potential danger from flammable gases, combustible dust, or ignitable fibers, creating the potential for fire and explosions.

Specifications

General

- **BIOS** ACP BIOS enabled
- **Certification** BSMI, CCC, CE, FCC Class A, UL C1D2
- **Cooling System** Fanless design
- **Dimensions (W x H x D)** 488 x 309 x 56.7 mm (19.21" x 12.17" x 2.23")
- **Enclosure** Front bezel: Die cast aluminum alloy
Back housing: PC/ABS resin
- **Mounting** Panel Mount
- **Power Consumption** 28W Typical, 60W Max. (Without Add-on card)
- **Power Input** 24VDC +/- 20%
- **Watchdog Timer** 1 ~ 255 sec (system)
- **Weight (Net)** 7kg (15.44 lbs)

System Hardware

- **CPU** Intel 4th Generation Core i5-4300U 1.9GHz
- **Chipset** Lynx Point-LP
- **Memory** 4GB DDR3L 1600MHz SO-DIMM SDRAM (up to 8GB)
- **LAN** 10/100/1000BASE-T x 2 (one port supports iAMT)
- **Expansion Slots** Pull-size mini PCIe
- **Storage** CFast slot x 1
2.5" SATA SSD slot x 1
- **I/O** RS-232 x 1, RS-232/422/485 x 1
USB 3.0 x 2, HDMI 1.4 x 1
Audio line out x 1

LCD Display

- **Display Type** HD TFT LED LCD
- **Display Size** 18.5
- **Max. Resolution** 1920 x 1080
- **Max. Colors** 16.7M
- **Luminance cd/m2** 350
- **Viewing Angle (H/V°)** 170/160
- **Backlight Life** 50,000 hr
- **Contrast Ratio** 1000:1

Touchscreen

- **Light Transmission** ≥88%
- **Resolution** 4096 x 4096 dot
- **Type** Projected capacitive

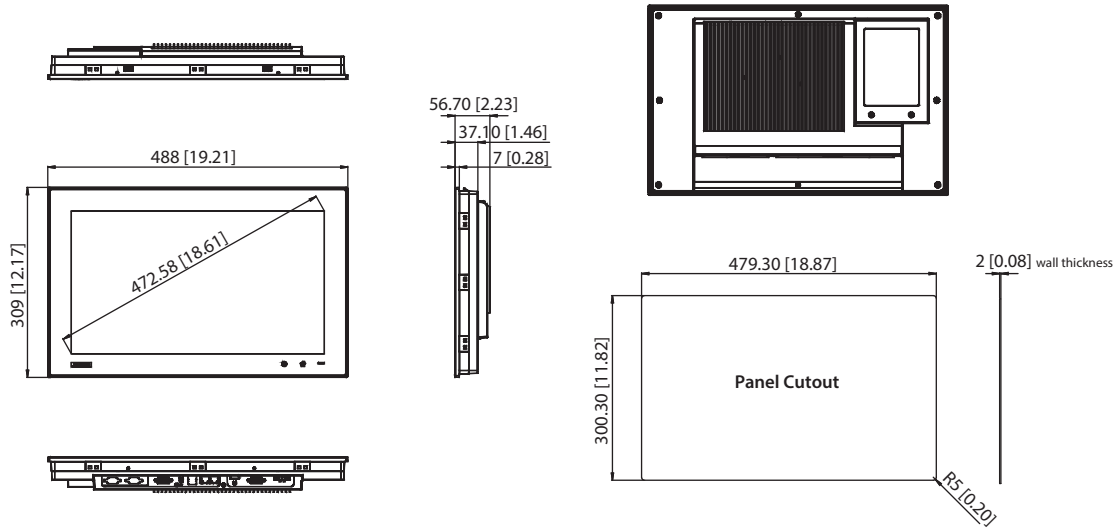
Environment

- **Humidity** 10 ~ 95% RH @ 40°C, non-condensing
- **Ingress Protection** Front panel: IP66
- **Operating Temperature** 0 ~ 55°C (32 ~ 131°F)
- **Storage Temperature** -20 ~ 60°C (-4 ~ 140°F)
- **Vibration Protection** With HDD: 1 Grms (5 ~ 500 Hz)
(Operating, random vibration)



Dimensions

Unit: mm [inch]



Panel Cutout Dimensions: 479.3 x 300.3 (18.87" x 11.82")

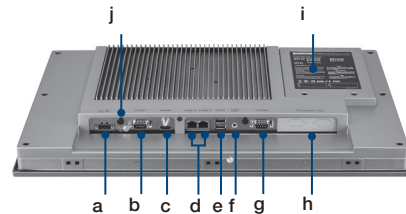
Ordering Information

- ESRP-CMS-TPC1881WP TPC-1881WPH, ACP Ready ThinClient, C1D2

Optional Accessories

- 96PSA-A150W24T2** Adapter 100-240V 150W 24V
- 1702002600** Power Cable US Plug 1.8 M
- 1702002605** Power cable EU Plug 1.8M
- 1702031801** Power cable UK Plug 1.8M
- 1700000596-11** Power Cable China/Australia Plug 1.8 M
- EWM-W151H01E** 802.11bgn RTL8188EE 1T1R, Half-size mini PCIe (also need 9656EWMG00E)
- 9656EWMG00E** Half-size miniPCIe to Full-size miniPCIe bracket set
- 1750000318** EMI Antenna 2DBI 2.4GHz SMA CONN for ARK-3384
- 1750003222** 802.11b/g 5dBi Dipole Antenna
- 1750003418** Wireless Antenna AN2400-5901RS R/P SMA.M9dB

Rear View



- a. 24V_{DC} Power
- b. COM Port RS-232
- c. HDMI
- d. GbE
- e. USB 3.0
- f. Audio Line out (Line out port using cable ties for suitable mechanical secured is accepted.)
- g. COM Port RS-232/422/485
- h. Expansion I/O (iDoor)
- i. 2.5" SATA SSD, CFast and Mini PCIe Slot
- j. SMA Connector for Antenna