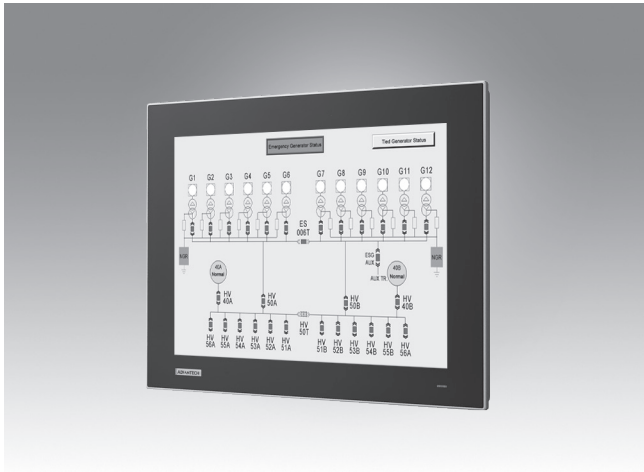


# ESRP-CMS-TPC1551

## 15" Intel Atom Multi-Touch PC ACP Ready ThinClient



### Features

- Verified with ACP ThinManager, ACP BIOS enabled
- Industrial-grade 15" XGA TFT LCD with 70K lifetime and LED backlight
- Intel® Atom™ E3845 1.91GHz Quad-core processor with 4 GB DDR3L SDRAM
- Wide operating temperature range -20 ~ 60 °C (-4 ~ 140 °F)
- True-flat touchscreen with IP66-rated front panel and default VESA 100x100
- Front-facing LED indicators to show operating status
- Durable touchscreen with 5-wire resistive touch control
- Compact, fanless embedded system with aluminum alloy front bezel and chassis grounding protection
- Default VESA 100x100

### Introduction

Realize the true value of thin client and centralized management technologies with Advantech's ThinManager compatible industrial thin clients. ACP's ThinManager, the leading thin client solution for the factory floor, and Advantech's industrially hardened thin client hardware provide a unique solution for centralized management of factory floor applications.

ESRP-CMS-TPC1551 is the next-generation model of Advantech's 15" industrial panel PC. Equipped with a 15" XGA TFT LED LCD, low-power Intel® Atom™ E3845, 1.91GHz, quad-core processor, and 4 GB of DDR3L SDRAM, ESRP-CMS-TPC1551 delivers high-performance computing in a compact, fanless system. For enhanced durability to satisfy diverse industrial automation applications, ESRP-CMS-TPC1551 supports a wide operating temperature range (-20 ~ 60 °C/-4 ~ 140 °F) and features a true-flat 5-wire resistive touchscreen with IP66-rated front panel, die-cast aluminum alloy front bezel, and 100 x 100 VESA mount kit.

### Specifications

#### General

- **BIOS** ACP BIOS enabled
- **Certification** BSMI, CCC, CE, FCC Class A, UL
- **Cooling System** Fanless design
- **Dimensions (W x H x D)** 383.2 x 307.3 x 55.9 mm (15.09 x 12.10 x 2.2 in)
- **Enclosure** Front bezel: Die cast aluminum alloy  
Back housing: SECC
- **Mounting** VESA Mount, Desktop, Wall or Panel Mount
- **OS Support** Microsoft® WES7 (32/64-bit), Windows 7 (32/64-bit), Windows 10 Enterprise LTSB, Android, Advantech Linux
- **Power Consumption** 25W typical, 50W max.
- **Power Input** 24 V<sub>DC</sub> +/- 20%
- **Watchdog Timer** 1 ~ 255 sec (system)
- **Weight (Net)** 4.4kg (9.7lbs)

#### System Hardware

- **CPU** Intel® Atom™ E3845 1.91GHz Quad-core processor
- **Memory** 1 x SODIMM with 4 GB DDR3L SDRAM (supports up to 8 GB)
- **LAN** Intel I210; 10/100/1000BASE-T x 2
- **Expansion Slots** 1 x Full-size mini PCIe (USB+PCIe interface)
- **Storage** 1 x 2.5" SATA SSD, 1 x mSATA
- **I/O** 1 x RS-232  
1 x RS-232/422/485  
1 x USB 3.0  
3 x USB 2.0  
1 x iDoor slot

#### LCD Display

- **Display Type** XGA TFT LED LCD
- **Display Size** 15"
- **Max. Resolution** 1024 x 768
- **Max. Colors** 16.2M
- **Luminance cd/m<sup>2</sup>** 300
- **Viewing Angle (H/V°)** 176/176
- **Backlight Life** 70,000 hr
- **Contrast Ratio** 2000:1

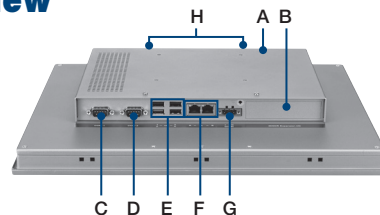
#### Touchscreen

- **Lifespan** 36 million touches at a single point
- **Light Transmission** Above 75%
- **Resolution** Linearity
- **Type** 5-wire analog resistive

#### Environment

- **Humidity** 10 ~ 95% RH @ 40°C, non-condensing
- **Ingress Protection** Front panel: IP66
- **Operating Temperature** -20 ~ 60 °C (-4 ~ 140 °F)
- **Storage Temperature** -30 ~ 70 °C (-22 ~ 158 °F)
- **Vibration Protection** With SSD: 1 Grms (5 ~ 500 Hz)  
(Operating, random vibration)

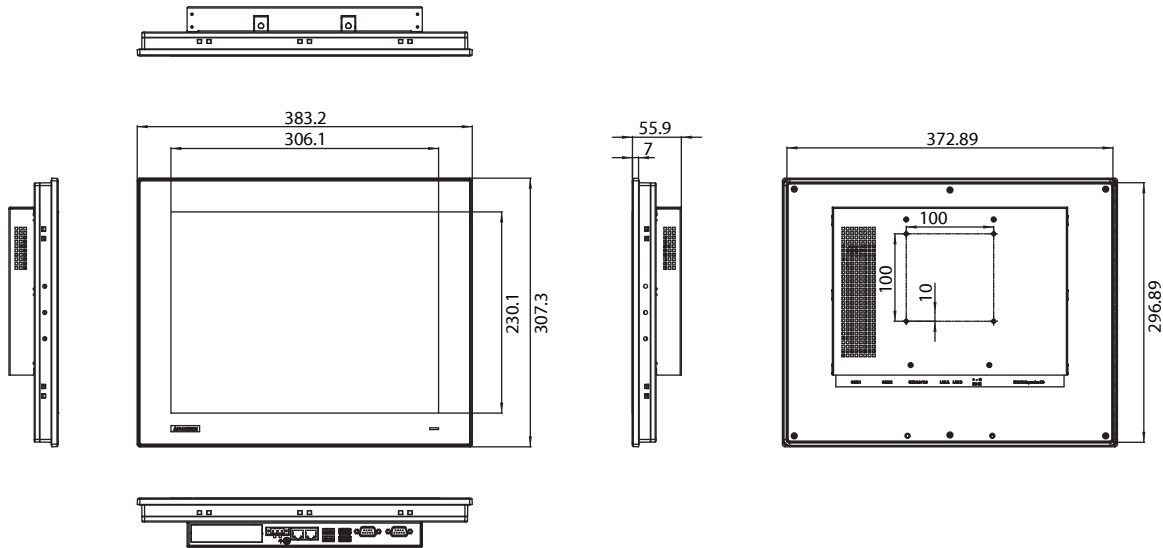
#### Rear View



- A. Default HDD/SSD Bay
- B. iDoor slot
- C. RS-232
- D. RS-232/422/485
- E. USB 2.0 & 3.0
- F. LAN (10/100/1000)
- G. Power Receptor
- H. Antenna Opening

## Dimensions

Unit: mm



TPC-1551T-B Panel Cutout Dimensions: 374.5 x 298.5 mm (14.74 x 11.75 in)

## Ordering Information

- **ESRP-CMS-TPC1551** TPC-1551 (B), ACP Ready ThinClient

## Optional Accessories

- **PWR-247-DE** 60W 24 V<sub>DC</sub> /2.5A power supply
- **1702002600** Power Cable US Plug 1.8 M
- **1702002605** Power Cable EU Plug 1.8 M
- **1702031801** Power Cable UK Plug 1.8 M
- **1700000596-11** Power Cable China/Australia Plug 1.8 M