

DLT-V72 Series

Rugged X86-Based Vehicle-Mounted Terminal



Features

- 10.4/12.1" color TFT display
- Abrasion-resistant touchscreen
- IP66 rating for protection from dust and water ingress
- 5M3 certification for shock and vibration tolerance
- Wide operating temperature range (-30 ~ 50 °C/-22 ~ 122 °F) for extreme environments
- Optional uninterruptible power supply via backup battery (supports up to 20 minutes operation)
- Optional screen defroster, ideal for cold chain and cold storage applications

Introduction

DLT-V72 is a rugged vehicle-mounted terminal designed for logistics applications and to provide maximum system uptime. Powered by an Intel® Atom™ E3845 quad-core, 1.91 GHz, processor with 4 GB RAM, DLT-V72 supports a wide operating temperature range (-30 ~ 50 °C/-22 ~ 122 °F) to withstand operation in extreme industrial environments (from hot and humid, to dry freezer environments). The integrated Advantech low-profile antenna offers excellent transmission capabilities in a compact form factor. Meanwhile the touchscreen with flexible touch control ensures easy input and even supports gloved operation.

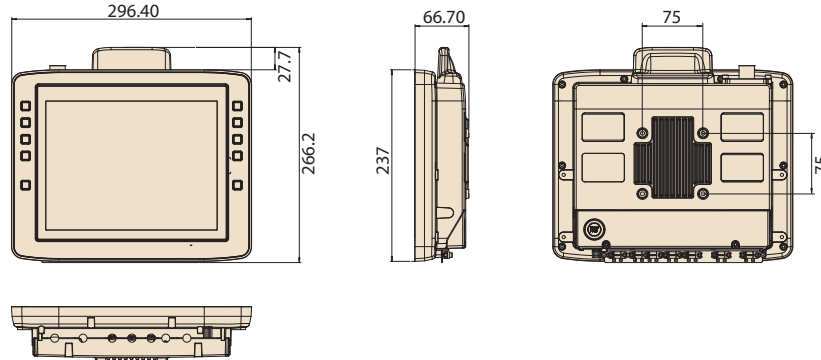
Specifications

System	CPU	Intel® Atom™ E3845 quad-core, 1.91 GHz, 4 GB RAM
	Memory	8GB - 256GB CFast
Dimensions	DLT-V7210	296.4 x 266.2 x 66.70 mm (11.67 x 10.48 x 2.63 in)
	DLT-V7212	334.4 x 294.4 x 68.7 mm (13.17 x 11.59 x 2.70 in)
Weight	DLT-V7210	3.7 kg (8 lb) without battery pack/antenna/accessories
	DLT-V7212	4.65 kg (10 lb) without battery pack/antenna/accessories
Housing		Completely sealed, fanless design made of coated aluminum
Display	DLT-V7210	10.4" XGA color TFT with 1024 x 768 resolution and 400 cd/m ² brightness
	DLT-V7212	12.1" XGA color TFT with 1024 x 768 resolution and 500 cd/m ² brightness
Touchscreen	Type	- Resistive touchscreen with optional screen defroster - Projective capacitive (P-CAP) touchscreen with multi-touch control
Control Buttons	Front Panel	10 x control buttons
Software	Operating System	Windows 10 IoT Enterprise, Windows 7 Pro, Windows Embedded 8.1 Industry Pro, Windows Embedded Standard 7, Windows Embedded 8 Standard, Debian-based Linux, IGEL Linux, Android 7.1.2
	Emulations (Third-Party)	VT100, VT220, IBM 5250, TN 3270, Citrix Client®, Freefloat Access One
Communication	Wi-Fi	Wi-Fi IEEE 802.11 a/b/g/n (optional)
	LAN	Ethernet 10/100/1000 Mbit/s
	WPAN	Bluetooth (optional)
Interfaces	Serial	2 x RS-232, COM1 with switchable 5 V _{DC} /RI
	USB	4 x USB 2.0 (Hi-Speed™) bootable, 1 x service USB 3.0 (Super-Speed™)
	RSMA	1 x RSMA for external Wi-Fi antenna (optional)
Audio		1 x speaker integrated
Power Supply		12/24/48 V _{DC} nominally Automatic Power On/Off function via vehicle ignition with optional UPS (20 minutes typical); battery life may vary according to load
Environmental	IP Rating	IP66 rating for the entire system
	Operating Temperature	-30 ~ 50 °C (-22 ~ 122 °F)
	Relative Humidity	10 to 90% at 40 °C (104 °F), non-condensing
	Shock/Vibration	5M3 (EN 60721-3-5) and MIL-STD 810F (US highway truck vibration exposure)
Certifications	Touchscreen Durability	IK 08
		CE Immunity Class A, Emission Class B/FCC Class B (for EU and USA), BSMI/NCC (for Taiwan), MIC/VCCI (for Japan), CCC/SRRC (for China)

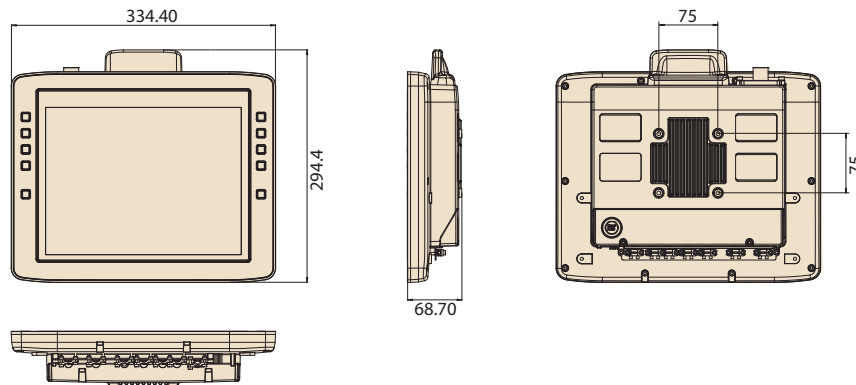
Dimensions

Unit: mm

DLT-V7210



DLT-V7212



Ordering Information

Part Number	Description	CPU	Memory	Storage	Wi-Fi	BT	GPS	3G	OS	OS language
DLV7210-7BL170000	DLT-V7210R res., WES7P APAC, 32GB MLC CFAST	Intel Atom E3845 Quad Core 1.91GHz	4GB	32GB	V	X	X	X	WES7	APAC (English, Japanese, Chinese trad., Chinese simpl.)
DLV7212-7BM1P0000	DLT-V7212R res., WIN7 Pro CHN, 64GB MLC CFAST	Intel Atom E3845 Quad Core 1.91GHz	4GB	64GB	V	X	X	X	WIN7P	CHN (Chinese simpl.)

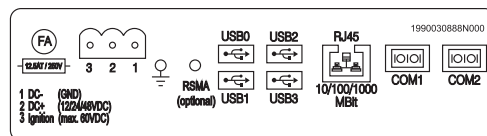
Further configurations on request!

Optional Accessories

Part Number	Description
DL-MTK009	Mounting bracket mobile
DL-MTRM004	RAM-Mount Set, one arm, arm length 130mm
DL-MTRM003	RAM-Mount Set, one arm, arm length 215mm
DL-MTRM001	RAM-Mount Set, two arms, arm length 150mm

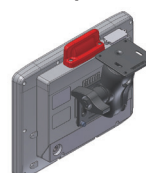
Further configurations on request!

I/O Connectors

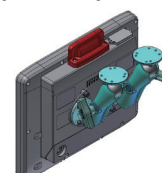


Mount Kit Options

RAM-Mount Set (one arm)



RAM-Mount Set (two arms)



Mobile Mounting Bracket

