

BB-JC10F50-V

BB-JC24S250-V

BB-JC36S500-V

Split-core Current Transducers/Sensors



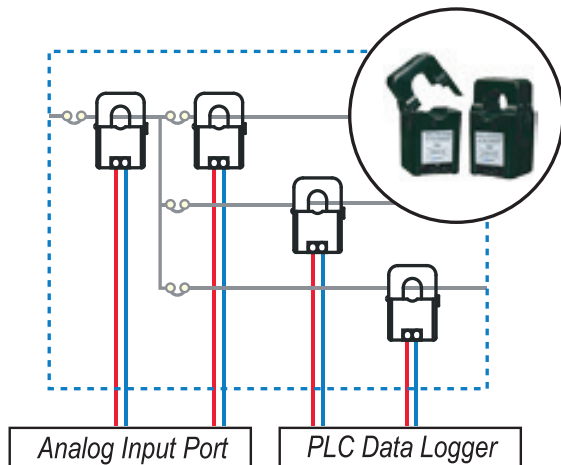
BB-JC10F50-V

Introduction

These split-core current transducers are designed for energy management with a convenient connection to electronic sub-metering. They may also be applied for current measurement in a system of distributed power line carriers (PLCs) or remote controls such as SCADA software for automation and supervision. Other applications include security and condition monitoring, load monitoring, protection systems, and predictive maintenance of conveyors, pumps, HVAC motors and more.

Load Trend Monitor per Distribution Panel

When a sensor outputting analog instrumentation signals in proportion to load current, is clamped directly onto the main or branch wiring of the distribution panel, direct input into analog port as PLC or data logger becomes available without a converter in the middle.



Features

- All-in one structure in a small size
- Connect directly to PLCs
- Sense motor stalls and short circuits
- Industrial instrumentation
- Process control loops
- Phased fired-controlled heaters
- UL, CSA, CE, RoHS-3 available

Ordering Information

Model No.	Current Range (50/60 Hz)	Output Impedance	Weight
BB-JC10F50-V	50 Arms	6.2K Ω	45g
BB-JC24S250-V	250 Arms	5.8K Ω	200g
BB-JC36S500-V	500 Arms	5.8K Ω	200g

Specifications

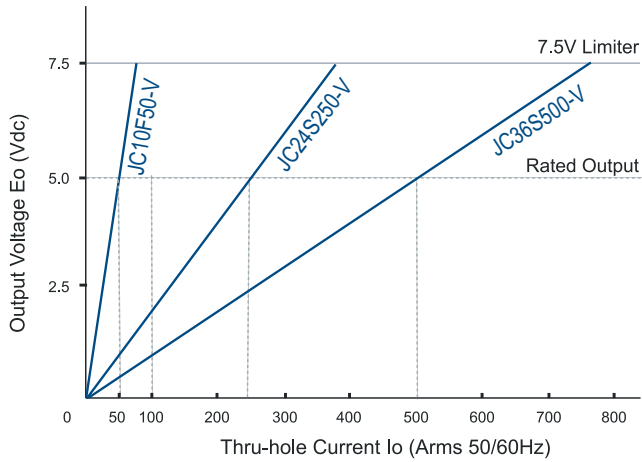
Technology	
Output Voltage	0~5V DC (average) / 0 ~ rated current, 7.5V DC limiter built-in
Maximum Allowable Current	100% (continuous) 150% (1 min.)
Accuracy/Linearity	$\pm 2\%$ FS, dynamic range 1:100 (50/60 Hz sinewave)
Output Ripple Voltage	Within 5% of output voltage
Response Time	300 ms
Insulation Resistance	DC500V / 100M Ω or more (between core and output terminals)
Dielectric Strength	AC 2000V / 1 min. (between core and output terminals)
Mechanical	
Sensing Aperture	10mm (clamp-on type)
Latch/Unlatch	About 150 times
Output Terminals	2 x M3-screw with terminal covers
Tightening Torque	0.3 Nm
Environmental	
Operating Conditions	-20 ~ +50 $^{\circ}\text{C}$, $\leq 85\%$ RH, No condensation, In-house & any direction installable
Storage Conditions	-30 ~ +90 $^{\circ}\text{C}$, $\leq 85\%$ RH, No condensation



BB-JC24D250-V

BB-JC10F50-V
BB-JC24S250-V
BB-JC36S500-V

Output Data Voltage



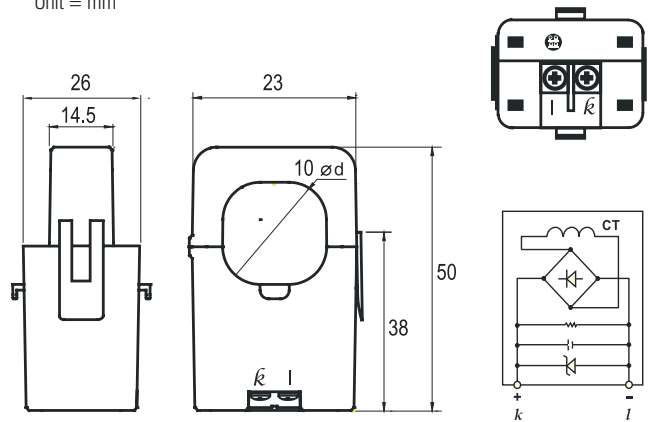
Connecting the Lead Wire

1. A black component with a lead wire is shown.
2. A person is shown stripping the lead wire.
3. A person is shown inserting the lead wire into the component.
4. The component is shown with the lead wire inserted.
5. A person is shown stripping the lead wire.
6. The component is shown with the lead wire inserted.
7. The component is shown with the lead wire inserted.
8. Cables and cable accessories are shown.

Cables & Cable Accessories

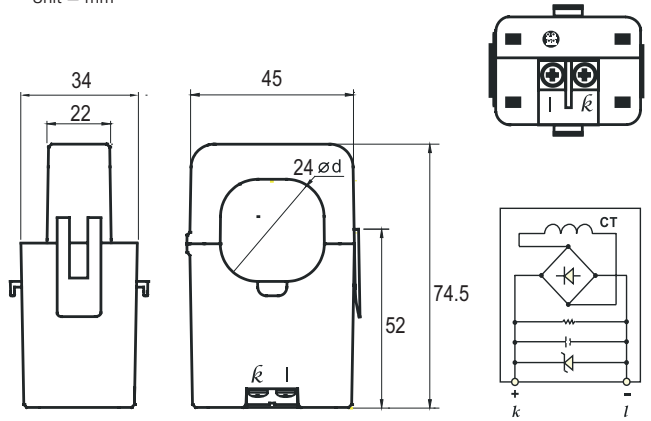
Dimensions – BB-JC10F50-V

Unit = mm



Dimensions – BB-JC24S250-V

Unit = mm



Dimensions – BB-JC36S500-V

Unit = mm

