

Industrial RS-232 Isolated Repeater

Model BB-232OPDRI

ADVANTECH

www.advantech.com



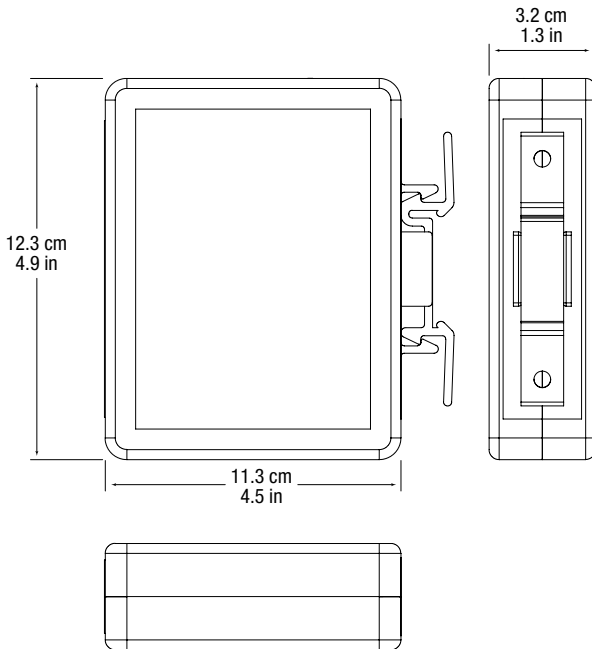
FEATURES

- Extend RS-232 data another 15.2 m
- 2000 V 3-way optical isolation
- Data rates up to 115.2 kbps
- -40 to +80 °C wide operating temperature
- DIN rail mount IP30 case
- 10 to 48 VDC input power (power supply required, sold separately)
- UL C1/D2, UL 508, FCC, CE

Model BB-232OPDRI is our premium Industrial RS-232 Isolated Repeater. Designed for rugged industrial environments, it is UL listed and certified for use in Class 1 Division 2 locations. Powerful optical isolation on both data ports protects your equipment and data from damaging ground loops and surges. Additional isolation on the power supply circuits adds a third degree of protection.

Packaged in a rugged plastic case, the BB-232OPDRI operates in wide temperature extremes. With a 35mm DIN rail mounting bracket, it is easy to integrate into a control panel or other industrial equipment.

Installation and configuration is easy. Data is connected with a DB9 female connector (DCE) and a DB9 male connector (DTE). Power is connected through a terminal block that accepts 10 to 48 VDC from an external source. Power supply required, not included, sold separately.



ORDERING INFORMATION

MODEL NUMBER	DESCRIPTION
BB-232OPDRI	Industrial RS-232 Isolated Repeater

SPECIFICATIONS

SERIAL TECHNOLOGY	
Serial Connector	DB9 Female (DCE), DB9 Male (DTE)
Data Rate	Up to 115.2 Kbps
Isolation	2 KV RMS, 1 minute
POWER	
Source	External
Power Connector	2-Position Removable Terminal Block
Input Voltage	10 to 48 VDC (56 VDC maximum)
Power Consumption	0.6 W typical
TERMINAL BLOCKS	
Wire Size Accepted	28 to 12 AWG, Copper wire only.
Pitch	5.08 mm
Insulation Resistance	≥500 MΩ @ 500 VDC
Maximum Torque	5 Kg / cm
INDICATORS	
Power	Red LED
TD / RD	Red LED TD, RD, CTS, RTS
MECHANICAL	
Dimensions	12.3 x 11.3 x 3.2 cm
Enclosure	IP30 plastic, 35 mm DIN mount
Weight	195 g
MEANTIME BETWEEN FAILURES (MTBF)	
MTBF	177250 Hours
MTBF Calc. Method	Parts Count Reliability Prediction
ENVIRONMENTAL	
Operating Temperature	-40 to +80 °C
Storage Temperature	-40 to +85 °C
Operating Humidity	0 to 95% non-condensing
REGULATORY	
FCC, CE, UL C1/D File Number E245458, UL 508 File Number E222870	
CE - Directives	2014/30/EU - Electromagnetic Compatibility Directive 2011/65/EU - amended by (EU) 2015/863 Reduction of Hazardous Substances Directive (RoHS) 2012/19/EU - Waste Electrical and Electronic Equipment (WEEE)
CE - Standards	EN 55032 Class B - Electromagnetic compatibility of multimedia equipment - emission requirements EN 55024 - Information technology equipment - immunity requirements
EN 61000-6-1	Generic immunity standard of residential, commercial and light industrial environments

ACCESSORIES – sold separately

- BB-DR-20-24 – DIN rail mount power supply, 24VDC, 1.0 A output power
- BB-EK-CLIP-MPC – Replacement DIN rail clip for enclosure
- BB-TBKT1 – Replacement Terminal Block - 2-position, 5.08mm, 8A, 30

All product specifications are subject to change without notice.
BB-232OPDRI_1220ds

ADVANTECH

Headquarters: 707 Dayton Rd, PO Box 1040 Ottawa, IL 61350 USA (815)433-5100 or (800)346-3119/Toll Free orders@advantech-bb.com